

Wall Mounted

Standard : RSG18LFCA / **NEW** RSG24LFCC / RSG30LFCA



Wireless R.C.



For RSG18LFCA
RSG24LFCC

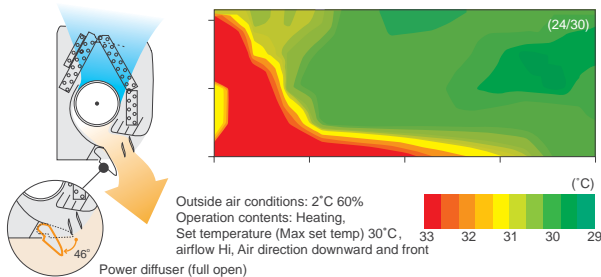


For RSG30LFCA

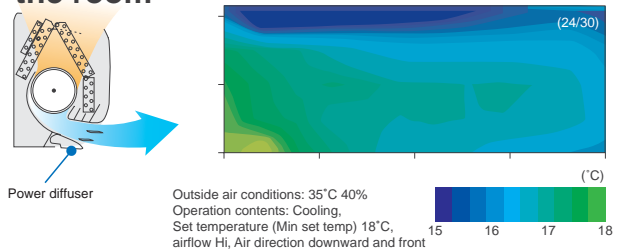


Features

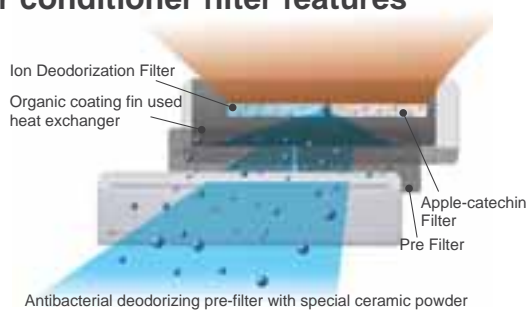
“Vertical airflow” provides powerful floor level heating



“Horizontal airflow” does not blow cool air directly at the occupants in the room



Air conditioner filter features



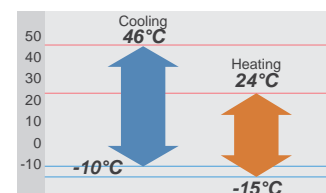
Flexible Installation

	18 type	24 type	30 type
Max. Piping Length	25m	30m	50m
Max. Height	20m	20m	30m

Easy maintenance

Simplification of drain pan cleaning improves maintenance-ability.

Low ambient operation



Long-life* Ion Deodorization Filter

The filter deodorizes by powerfully decomposing absorbed odors using the oxidizing and reducing effects of ions generated by the ultra-fine-particle ceramic.

(*The filter can be used for approx. 3 years if it is washed under water to restore its surface action when it is dirty.)

✚ Using different filters at both sides

Apple-catechin Filter

Fine dust, invisible mold spores, and harmful microorganisms are absorbed onto the filter by static electricity, and further growth is inhibited and deactivated by the polyphenol extracted from apples.

Optional parts

- Wired Remote Controller: UTY-RNNXM, UTY-RVNXM
- Simple Remote Controller: UTY-RSNXM
- External Connect Kit: UTY-XWZX

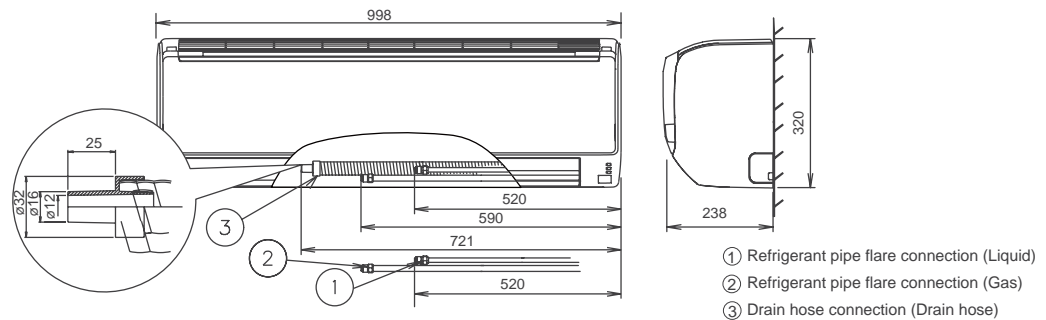


Specifications

Model No.	Indoor unit		RSG18LFCA	RSG24LFCC	RSG30LFCA
	Outdoor unit		ROG18LFC	ROG24LFCC	ROG30LFT
Power Source	V/∅/Hz		230/1/50	230/1/50	230/1/50
Capacity	Cooling	kW	5.2(0.9~6.0)	7.1(0.9~8.0)	8.0(2.9~9.0)
	Heating		6.3(0.9~9.1)	8.0(0.9~10.6)	8.8(2.2~11.0)
Input Power	Cooling/Heating	kW	1.52/1.71	2.20/2.21	2.49/2.44
EER	Cooling	W/W	3.42	3.23	3.21
COP	Heating		3.68	3.61	3.61
Pdesign	Cooling/Heating (@-10°C)	kW	5.2/5.9	7.1/7.1	8.0/8.0
SEER	Cooling	W/W	6.94	6.11	5.69
SCOP	Heating (Average)		3.87	3.80	3.80
Energy Efficiency Class	Cooling		A++	A++	A+
	Heating (Average)		A	A	A
Running Current	Cooling/Heating	A	6.8/7.6	9.7/9.7	10.9/10.7
Annual Energy Consumption	Cooling	kWh/a	262	406	492
	Heating		2130	2610	2941
Moisture Removal			l/h	2.6	2.7
Sound Pressure (Cooling)	Indoor	H/M/L/Q	43/37/33/26		48/42/37/32
	Outdoor		High	50	
Sound Power (Cooling)	Indoor	High	58		64
	Outdoor		High	65	
Airflow Rate (High)	Indoor / Outdoor		m³/h	900/2150	1120/2460
Net Dimension H x W x D	Indoor	mm		320X998X238	320X998X238
		kg(lbs)		14(30.8)	14(30.8)
	Outdoor	mm		620X790X298	620X790X298
		kg(lbs)		41(90)	41(90)
Piping Connections (Small / Large)			mm	6.35/12.8	6.35/15.88
Drain Hose Diameter (I.D./O.D.)				12/16	12/16
Max Pipe Length (Pre-Charge)			m	25(15)	30(15)
Max Height Difference				20	30
Operation Range	Cooling	°CDB	-10~46		-10~46
	Heating		-15~24		-15~24
Refrigerant (Global Warming Potential)			R410A(1,975)		R410A(1,975)

Dimensions Models : RSG18LFCA / RSG24LFCC / RSG30LFCA

(Unit : mm)



FEATURE EXPLANATION

Comfortable function



Human sensor

Human sensor catches movements of people in a room.



Up / down swing flaps

The up/down flaps automatically swing up and down.



Double swing automatic

Complex swing action of flaps enables automatically to swing both horizontal and vertical directions.



Automatic air flow adjustment

The micro-computer automatically adjusts the air flow effectively to follow the changes of room temperature.



Auto restart

In the event of a temporary power failure, the air conditioner will automatically restart in the same operating mode as before, once the power supply is restored.



Auto-changeover

The unit automatically switches between heating and cooling modes based on your temperature setting and the room temperature.



10°C HEAT operation

The room temperature can be set to go no lower than 10°C, thus ensuring that the room does not get too cold when not occupied.



Connectable distributing duct



Connectable fresh air duct



Fresh air intake

Fresh air can be taken in by a fan which can be connected using external control unit.



Economy mode

Limits the maximum operation current, and performs operation with the power consumption suppressed.



Powerful mode

Operation at maximum air flow and compressor speed, and quickly makes the room comfortable.



Low Noise Mode

Sound noise level of outdoor unit can be selected.



V-PAM control models



i-PAM control models

Convenient function



Sleep timer

The micro-computer gradually changes the room temperature automatically to afford a comfortable night's sleep.



Program timer

This digital timer allows selection of one of four options: ON, OFF, ON → OFF or OFF → ON.



Weekly timer

Different on-off times can be set for each day.



Weekly + setback timer

Weekly + Setback timer can set temperature for two times spans and for each day of the week.



Filter sign

Indicates the filter cleaning period by lamp.

Clean function



Long-life ion deodorization filter

The filter deodorizes by powerfully decomposing absorbed odors using the oxidizing and reducing effects of ions generated by ultra-fine-particle ceramic.



Apple-catechin filter

Fine dust, invisible mold spores, and harmful microorganisms are absorbed into the filter by static electricity, and further growth is inhibited and deactivated by the polyphenol extracted from apples.



Washable panel

Feature summary

	Wall Mounted	Floor	Compact Cassette / Cassette	Floor/Ceiling	Ceiling	Slim Duct	Medium Static Pressure Duct	High Static Pressure Duct							
	RSG07/09/12/14/LUCA	RSG07/09/12/14/LMCA	RSG18/30/LFCA, RSG24/LFCC	RSG09/12/LJCA	RSG09/12/LJCA	RCG12/14/18/LVLB, RCG24/LVLA	RCG30/36/LRLE, RCG36/45/54/LRLA	RYG18/LVTB, RYG24/LVTA	RYG30/36/LRTE, RYG36/45/54/LRTA	RDG12/14/18/LLTB	RDG24/36/45/LMLA, RDG30/36/LMLE	RDG45/54/60/LHTA	RDC72/90/LHTA		
Comfortable function	Human sensor	●													
Up / down swing flaps	●	●	●		●	●	●	●	●		○				
Double swing automatic				●						●	●				
Automatic air flow adjustment	●	●	●	●	●	●	●	●	●	●	●	●	●	●	●
Auto restart	●	●	●	●	●	●	●	●	●	●	●	●	●	●	●
Auto-changeover	●	●	●	●	●	●	●	●	●	●	●	●	●	●	●
10°C heat operation	●	●	●	●		●	●	●	○	●	●	○	○	○	(60)
Connectable distributing duct								●				●			
Connectable fresh air duct								○	●		●	○	●		○
Fresh air intake								○	○		○	○	○	○	○
Economy mode	●	●	●	●	●	●	●	●	●	●	●	●	●	●	●
Powerful mode	●	●	●	●											
Low Noise mode	●	●	●						○ (45/54) (36/LRLA)		○ (45/54) (36/LRTA)		○ (45) (36/LMLA)	○	○
Convenient function	Sleep timer	●	●	●	●	●	●	●	○	●	●	○	○	○	(60)
Program timer	●	●	●	●	●	●	●	●	○	●	●	○	○	○	(60)
Weekly timer	●	●													
Weekly + setback timer	○	○	○	○		○	○	○	●	○	○	●	●	●	●
Filter sign	●	●	●	●	●	●	●	●	●	●	●	●	●	●	
Clean function	Long-life ion deodorization filter	●	●	●	●		●	●							
Apple-catechin filter	●	●	●	●		●	●								
Washable panel			●	●	●	●	●								

○ : Optional function